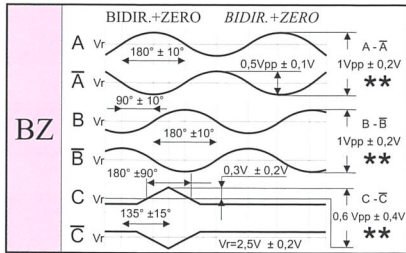
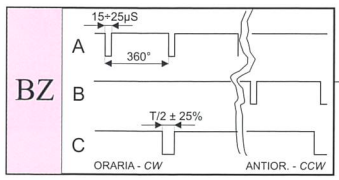
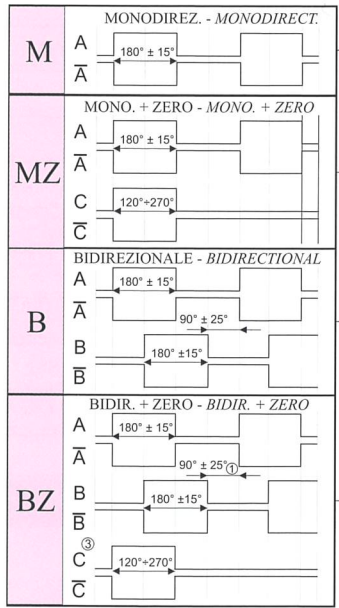
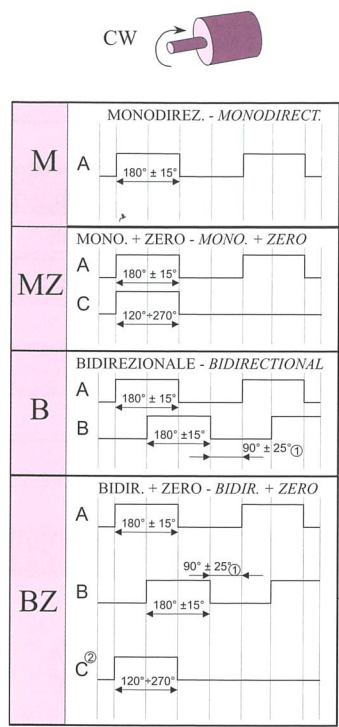


ELETRONICHE PER ENCODER INCREMENTALI - *ELECTRONICS FOR INCREMENTAL ENCODERS*
 ELECTRONIQUES POUR CODEURS INCREMENTAUX - *ELEKTRONIK FUER INKREMENTALE DREHGEBER*

VERSIONE - VERSION	
COD. CODE	SEGNALI IN USCITA OUTPUT SIGNALS

ELETRONICA - ELECTRONIC - ELECTRONIQUE - ELEKTRONIK		
COD. CODE	CIRCUITO CIRCUIT	TENSIONE OP. /VOLT.



-	<p>STANDARD - I max 10 mA</p> <p>Da 5V a 30V secondo alimentazione e tolleranze From 5V to 30V in according to power supply and tolerances</p> <p>Max. LUNGH. CAVO 12 m Max. CABLE LENGTH a 60 kHz</p>
	<p>NPN OPEN COLL. - I max 10 mA</p> <p>Da 5V a 30V secondo alimentazione e tolleranze From 5V to 30V in according to power supply and tolerances</p> <p>Max. LUNGH. CAVO 12 m Max. CABLE LENGTH a 60 kHz</p>
	<p>NPN - I max 70 mA</p> <p>Da 5V a 30V secondo alimentazione e tolleranze From 5V to 30V in according to power supply and tolerances</p> <p>Max. LUNGH. CAVO 12 m Max. CABLE LENGTH a 60 kHz</p>
	<p>NPN OPEN COLL. - I max 70 mA</p> <p>Da 5V a 30V secondo alimentazione e tolleranze From 5V to 30V in according to power supply and tolerances</p> <p>Max. LUNGH. CAVO 12 m Max. CABLE LENGTH a 60 kHz</p>

N	<p>LINE DRIVER 26LS31 - I max 20 mA</p> <p>5V ± 5%</p> <p>Max. LUNGH. CAVO 200 m Max. CABLE LENGTH a 100 kHz</p>
	<p>TTL 7404 - I max 10 mA</p> <p>5V ± 5%</p> <p>Max. LUNGH. CAVO 15 m Max. CABLE LENGTH a 60 kHz</p>
	<p>LINE DRIVER 7272 - I max 30 mA</p> <p>Da 5V a 30V secondo alimentazione e tolleranze From 5V to 30V in according to power supply and tolerances</p> <p>Max. LUNGH. CAVO 100 m Max. CABLE LENGTH a 100 kHz</p>

*D	<p>DISCRIMINAT. - I max 70 mA</p> <p>5V ± 5%</p> <p>Max. LUNGH. CAVO 50 m Max. CABLE LENGTH a 10 kHz</p>
	<p>8 ÷ 15V</p>

X ELETRONICA SU SPECIFICA DEL CLIENTE
 ELECT. UPON CUSTOM SPECIFICATION

P	<p>PNP - I max 70 mA</p> <p>Da 5V a 30V secondo alimentazione e tolleranze From 5V to 30V in according to power supply and tolerances</p> <p>Max. LUNGH. CAVO 12 m Max. CABLE LENGTH a 60 kHz</p>
	<p>PNP OPEN COLL. - I max 70 mA</p> <p>Da 5V a 30V secondo alimentazione e tolleranze From 5V to 30V in according to power supply and tolerances</p> <p>Max. LUNGH. CAVO 12 m Max. CABLE LENGTH a 60 kHz</p>
	<p>PUSH-PULL - I max 70 mA</p> <p>Da 5V a 30V secondo alimentazione e tolleranze From 5V to 30V in according to power supply and tolerances</p> <p>Max. LUNGH. CAVO 50 m Max. CABLE LENGTH a 100 kHz</p>
	<p>PUSH-PULL - I max 70 mA</p> <p>Da 5V a 30V secondo alimentazione e tolleranze From 5V to 30V in according to power supply and tolerances</p> <p>Max. LUNGH. CAVO 50 m Max. CABLE LENGTH a 100 kHz</p>

C	<p>LINE DRIVER 88C30 - I max 20 mA</p> <p>5V ± 5%</p> <p>Max. LUNGH. CAVO 150 m Max. CABLE LENGTH a 100 kHz</p> <p>OBSOLETO OBSOLETE</p>
	<p>2 x PUSH-PULL - I max 70 mA</p> <p>Da 5V a 30V secondo alimentazione e tolleranze From 5V to 30V in according to power supply and tolerances</p> <p>Max. LUNGH. CAVO 50 m Max. CABLE LENGTH a 100 kHz</p>
	<p>2 X PUSH-PULL - I max 70 mA</p> <p>Da 5V a 30V secondo alimentazione e tolleranze From 5V to 30V in according to power supply and tolerances</p> <p>Max. LUNGH. CAVO 50 m Max. CABLE LENGTH a 100 kHz</p>

① ± 35° SU VERSIONI ECONOMICHE
 ± 35° ON LOW COST VERSION
 ② PER MODELLI - FOR MODELS: 68, 90, 90D, 68BL
 C 120° ± 270°
 ③ PER MODELLO - FOR MODEL: 90D
 C 120° ± 270°
 COMBINAZIONE LOGICA FASE "C" CON FASE "A" A RICHIESTA
 PHASE "C" WITH PHASE "A" LOGIC COMBINATION ON REQUEST

*Y	<p>Da 5V a 30V secondo alimentazione e tolleranze From 5V to 30V in according to power supply and tolerances</p> <p>Max. LUNGH. CAVO 150 m Max. CABLE LENGTH a 100 kHz</p>
	<p>8 ÷ 15V</p>

SPECIFICHE CON CAVO ELCIS CV10FG - SPECIFICATIONS WITH ELCIS CV10FG CABLE
 SPECIFICATIONS AVEC CABLES ELCIS CV10FG - SPEZIFIKATION MIT ELCIS KABEL CV10FG

* DIPENDE DAI MODELLI - IN ACCORDING TO MODELS - SELON MODELES - JE NACH TYPEN
 ** ALTRO A RICHIESTA - CUSTOM OPTIONS - AUTRES SUR DEMANDE - WEITERE AUF AUFRAGE